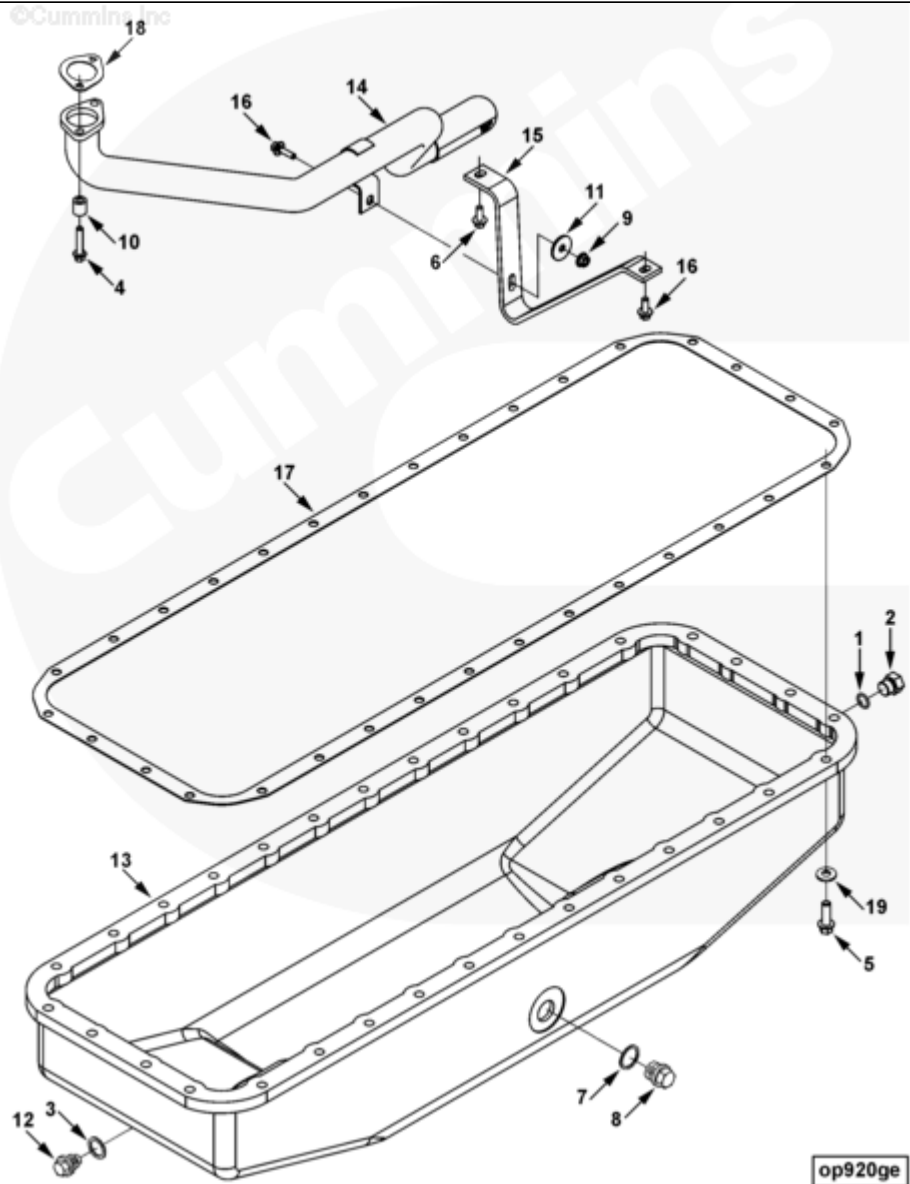




# Parts Catalog - Option Detail

Electronic Parts Catalog - Option Detail				
Option	Group	Graphic	Film Card	Date
OP9028-06	07.01	op920ge	Z	05-AUG-03
<b>Engines</b>	6C8.3, C GAS PLUS CM556, G8.3, G8.3 CM558, GTA8.3 CM558, ISC CM2150, ISC CM554, ISC CM850, ISC8.3 CM2250, ISC8.3 G CM2180 C101, ISL CM2150, ISL CM554, ISL CM850, ISL G CM2180, ISL8.9 CM2150 L110, ISL8.9 CM2880 L112, ISL9 CM2150 SN, ISL9 CM2250, ISL9 CM2350 L101, ISL9 CM2350 L111, ISLE4 CM850, L GAS PLUS CM556, L8.9, L8.9 L121, L8.9G CMOH2.0 L125B, L9 CM2350 L116B, L9 CM2350 L119B, L9 CM2350 L120C, L9 CM2350 L123B, L9.3 L105, L9.5 L117, L9N CM2380 L124B, QSC8.3 CM2250, QSC8.3 CM2880 C102, QSC8.3 CM554, QSC8.3 CM850(CM2850), QSL9 CM2250, QSL9 CM2250 L115, QSL9 CM2350 L102, QSL9 CM2350 L107, QSL9 CM2350 L118, QSL9 CM2350 L122, QSL9 CM554, QSL9 CM850(CM2850), QSL9 G CM558, QSL9 M CM2250 L106, QSL9.3 CM2880 L113			



op920ge

SMALL | MEDIUM | LARGE

Cart	Ref No	Part Number	Part Description	Required	Remarks
<a href="#">View My Cart</a>					
		<a href="#">OP9028-06</a>	Oil Pan		<a href="#">MR - PAN, OIL...(More)</a>
					Family: C Series
					Cylinders: 6
					Sump Style: Standard
					Sump Location: Center
					Oil Pan Material: Cast
					Aluminum
					Drain Location: Bottom
					Front Up Angularity (deg):
					45
					Front Down Angularity (deg):
					35
					Side To Side Angularity
					(deg): 45
					Washer 3910960 must be
					assembled between fastener
					bearing surface and brace
					3927611.
					DEP may use 3282266 plug in
					place of 3924148 plug.
<input type="checkbox"/>		<a href="#">3040995</a>	Threaded Plug	1	9/16 - 18 UNF
<input type="checkbox"/>	1	<a href="#">3037537</a>	O-Ring Seal	1	
	2	<a href="#">3040809</a>	Threaded Plug	1	
<input type="checkbox"/>	3	<a href="#">3920773</a>	Sealing Washer	1	M18
<input type="checkbox"/>	4	<a href="#">3900628</a>	Hexagon Flange Head Cap Screw	2	M6 X 1.00 X 30.
<input type="checkbox"/>	5	<a href="#">3900631</a>	Hexagon Flange Head Cap Screw	32	M8 X 1.25 X 25.
<input type="checkbox"/>	6	<a href="#">3901865</a>	Hexagon Flange Head Cap Screw	1	M6 X 1.00 X 20.

<input type="checkbox"/>	7	<a href="#">3902425</a>	Sealing Washer	1	M22
<input type="checkbox"/>	8	<a href="#">3924148</a>	Threaded Plug	1	M22 x 1.50 x 14
<input type="checkbox"/>	9	<a href="#">3906216</a>	Hexagon Flange Nut	1	M6 X 1.00.
<input type="checkbox"/>	10	<a href="#">3926865</a>	Mounting Spacer	2	
<input type="checkbox"/>	11	<a href="#">3910960</a>	Plain Washer	1	M6
<input type="checkbox"/>	12	<a href="#">3924147</a>	Threaded Plug	1	M18 x 1.50 x 12
<input type="checkbox"/>	13	<a href="#">4003819</a>	Oil Pan	1	
<input type="checkbox"/>		<a href="#">4003818</a>	Oil Pan	1	
<input type="checkbox"/>		<a href="#">4019465</a>	Threaded Insert	1	
<input type="checkbox"/>	14	<a href="#">3912228</a>	Oil Suction Connection	1	
<input type="checkbox"/>	15	<a href="#">3927611</a>	Tube Brace	1	
<input type="checkbox"/>	16	<a href="#">3913638</a>	Hexagon Flange Head Cap Screw	2	M6 X 1.00 X 16.
<input type="checkbox"/>	17	<a href="#">3938160</a>	Oil Pan Gasket	1	Refer To TSB050014.
<input type="checkbox"/>	18	<a href="#">3939352</a>	Oil Suction Connection Gasket	1	